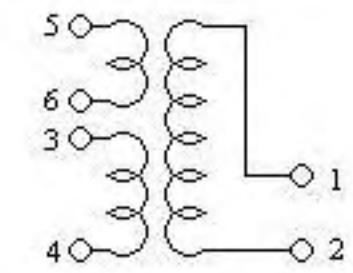
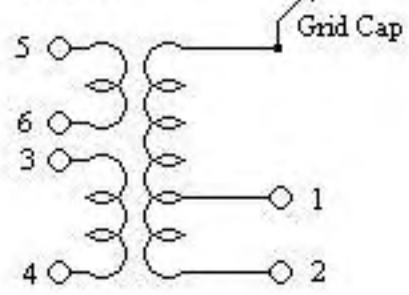


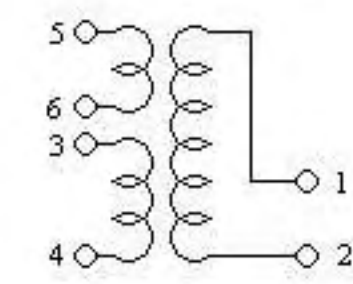
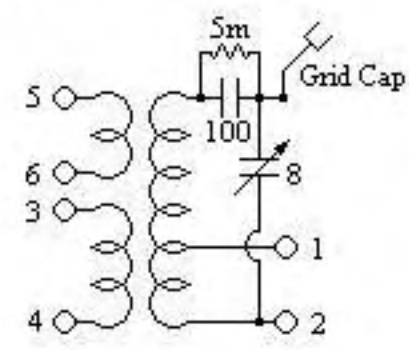
BANDSPREAD Coil set

GENERAL COVERAGE Coil set

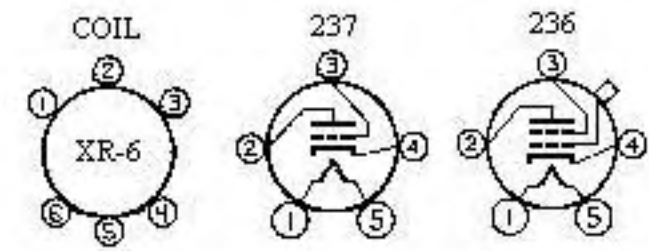
AMPLIFIER



DETECTOR



Base Diagram



NATIONAL RADIO DCSW-3

Bob Mattson, W2AMI © Highland, New York	DRAWN 03/15/2003 TubePad ©
---	--------------------------------------

K4XL's **BAMA**

This manual is provided **FREE OF CHARGE** from the "BoatAnchor Manual Archive" as a service to the Boatanchor community.

It was uploaded by someone who wanted to help you repair and maintain your equipment.

If you paid anyone other than BAMA for this manual, you paid someone who is making a profit from the free labor of others without asking their permission.

You may pass on copies of this manual to anyone who needs it. But do it without charge.

Thousands of files are available without charge from BAMA. Visit us at <http://bama.sbc.edu>